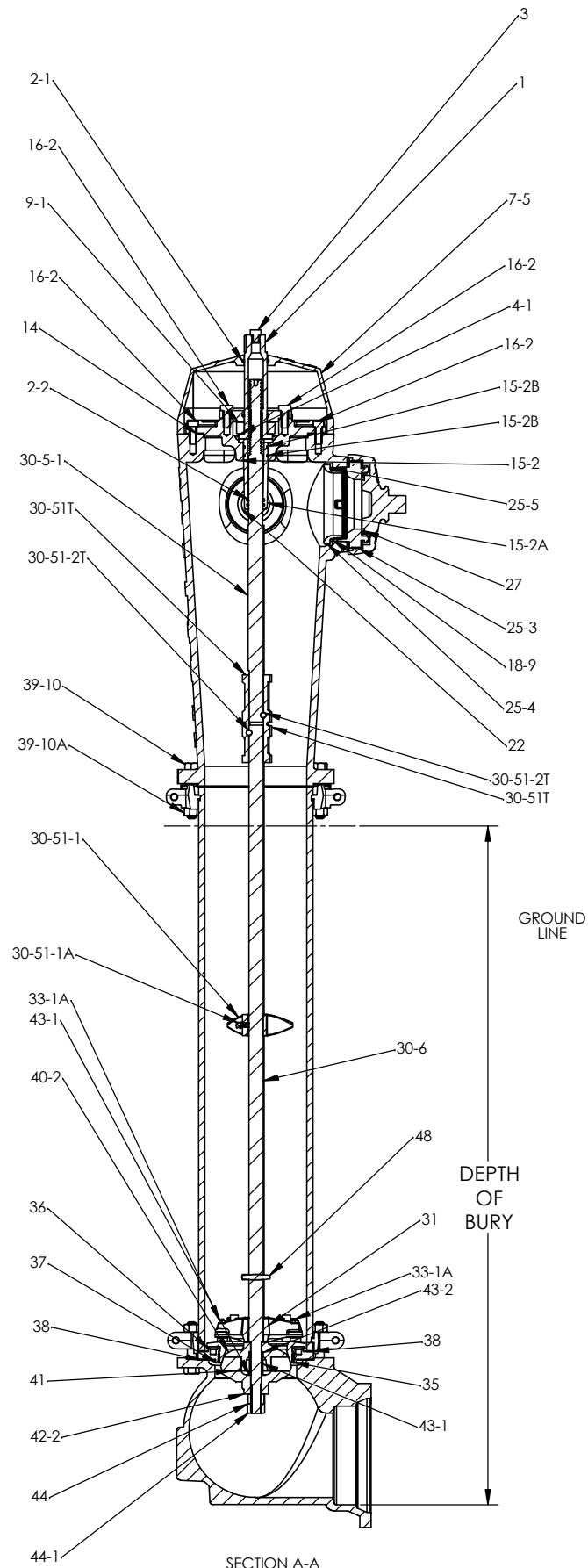
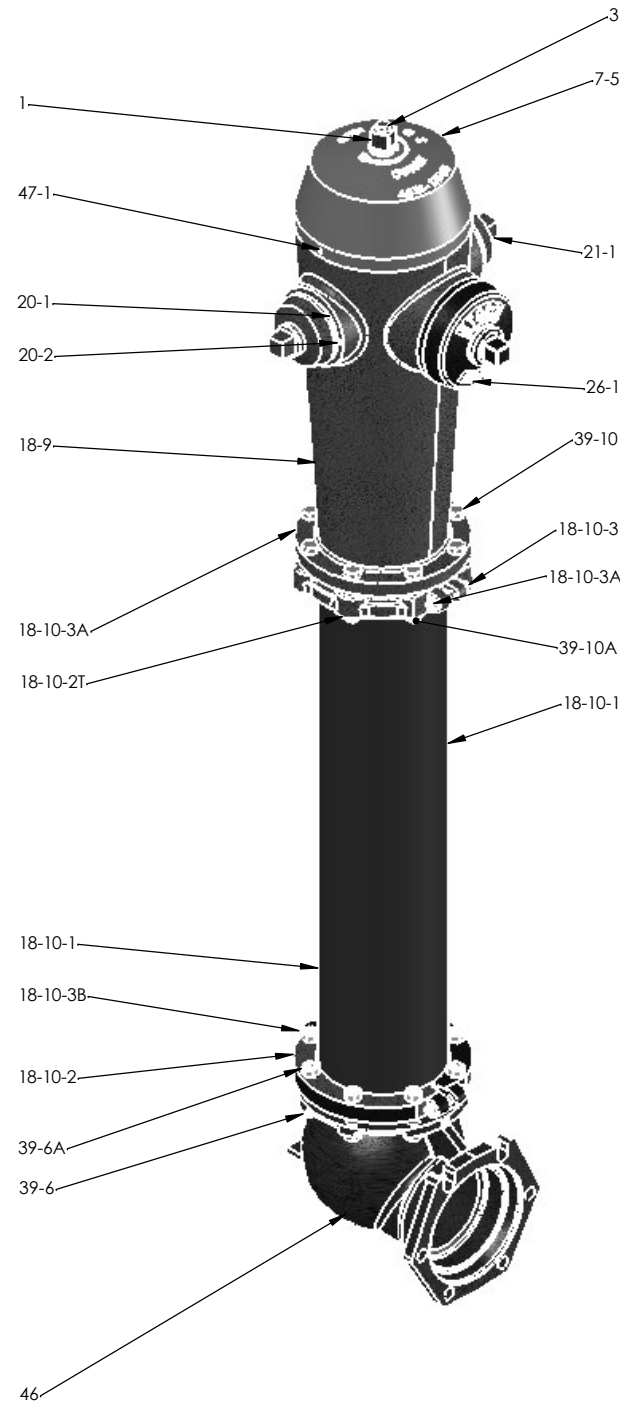
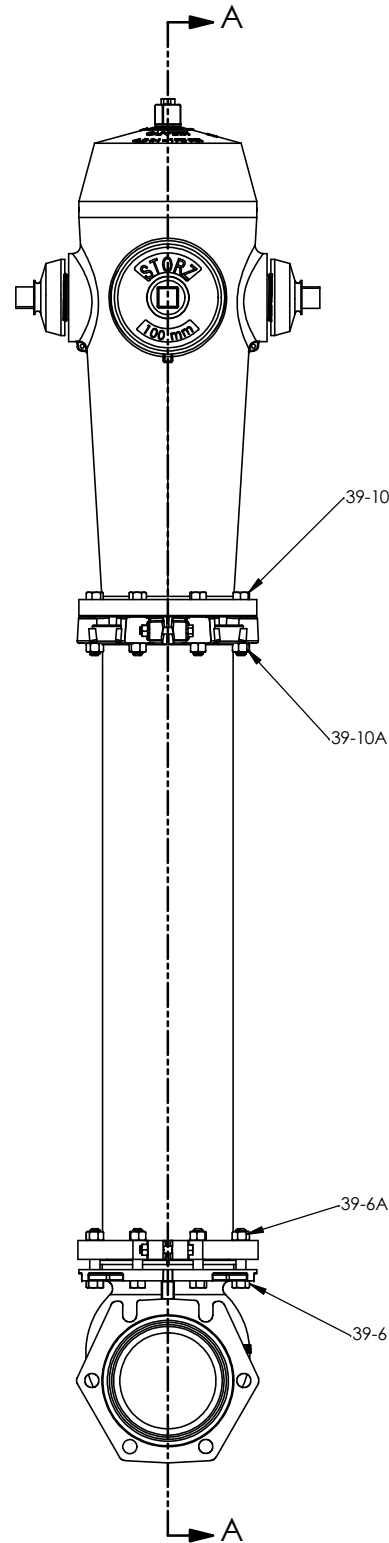


22.88



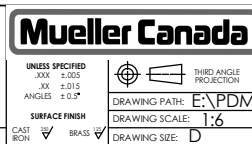
SECTION A-A



CATALOG#	DESCRIPTION	Material	QTY.
1	OPERATING NUT	MAGANESE BRONZE	1
2-1	BONNET & HOUSING COVER O-RING	RUBBER	2
2-2	O-RING	RUBBER	2
3	LUBE SCREW	STEEL ZINC COATED	1
4-1	THRUST BEARING	PLASTIC	1
7-5	4.5" OPEN LEFT BONNET	CAST IRON	1
9-1	BEARING HOUSING COVER	CAST IRON	1
14	BEARING HOUSING GASKET	FIBER BOARD	1
15-2	BEARING HOUSING	CAST IRON	1
15-2A	UPPER ROD SLEEVE	PLASTIC	1
15-2B	ROD SLEEVE OUTSIDE O-RING	RUBBER	2
16-2	HOUSING COVER CAP SCREW SHORT	STEEL ZINC PLATED	6
16-3	HOUSING COVER CAP SCREW LONG	STEEL ZINC COATED	4
18-9	CENTURY UPPER BARREL	CAST GREY IRON BRINELL 200+20	1
18-10-1	BARREL PIPE	DUCTILE IRON PIPE	1
18-10-3A	SIDE FLANGE NUT	STEEL	2
18-10-3B	SIDE FLANGE NUT	STAINLESS STEEL	2
18-10-3	FLANGE SIDE BOLT	STEEL ZINC COATED	2
18-10-2T	TRAFFIC FLANGE	CAST GREY IRON	1
18-10-3	FLANGE SIDE BOLT	STAINLESS STEEL	2
18-10-2	HYDRANT BARREL FLANGE	DUCTILE IRON	1
20-1	VARIES	BRASS	2
20-2	HOSE NOZZLE RETAINING RING	STEEL	2
20-3	HYDRANT NOZZLE GASKET	TS 33-341 TETRASEAL COMPOUND	2
21-1	HOSE CAP	CAST IRON	2
22	HOSE CAP GASKET	SBR RUBBER	2
25-3	PUMPER NOZZLE	SILICON BRONZE	1
25-4	PUMPER NOZZLE RETAINER	BRONZE	1
25-5	PUMPER NOZZLE SEAL	RUBBER NSF	1
26-1	PUMPER CAP	CAST IRON	1
27	PUMPER CAP O-RING	RUBBER	1
30-51-1	ROD GUIDE	CAST IRON	1
30-5-1	UPPER ROD	HOT ROLLED STEEL	1
30-51-1A	ROD GUIDE SET SCREW	STEEL	1
30-51T	BREAKABLE ROD COUPLING	CAST GRAY IRON	1
30-51-2A	COTTER PIN	BRASS	2
30-51-2T	ROD COUPLING CLEVIS PIN	STEEL	2
30-6	LOWER ROD	STEEL ROD 1.00" SQUARE	1
31	NICKEL PLATED DRIP LEVER	DUCTILE IRON ASTM A536 GRADE 65-45-12	1
32	DRIP LEVER COTTER PIN	BRASS	3
33-1B	DRAIN TUBE	BRASS	3
33-1A	DRIP LEVER WASHER	POLYPROPYLENE BLACK	3
33-1A	DRIP LEVER WASHER RETAINER	BRASS OR 304SS	3
35	MAIN VALVE SEAT	CAST BRASS B-METAL	1
36	MAIN VALVE SEAT GASKET	GARLOCK #8452	1
37	Ø4.50" DRAIN RING	FORGING BRASS	1
38	BARREL FLANGE GASKET	ARMSTRONG	3
39-6	BASE FLANGE BOLT	STAINLESS STEEL	8
39-6A	BASE FLANGE NUT	STAINLESS STEEL	8
39-10	GROUND FLANGE BOLT	STEEL ZINC COATED	8
39-10A	GROUND FLANGE NUT	STEEL	8
40-2	VALVE BALL TOP Ø4.5	CAST GRAY IRON	1
41	HYDRANT VALVE BALL	GREEN SANTOPRENE	1
42-2	VALVE BALL BOTTOM	CAST GRAY IRON	1
43-1	VALVE SLEEVE	PLASTIC	1
43-2	O-RING	RUBBER	1
44	3/4-10 HEX NUT	STEEL, ANSI B18 2.2	1
44-1	3/4-10 HEX LOCK NUT	STEEL	1
46	HYDRANT BASE	DUCTILE IRON	1
47-1	BONNET RETAINING PIN	STAINLESS STEEL	2
48	STOP PIN	STEEL	1
-	ULC LABEL	PAPER	1

NOTICE
By receiving this drawing the recipient agrees the drawing and its contents remain the sole property of Mueller Canada. It is to be used in confidence, will be returned on demand, and will not be reproduced or used to our detriment.

MUELLER CANADA



MATERIAL: ASSEMBLY
WEIGHT: VARIES
DESCRIPTION: CANADA VALVE CENTURY HYDRANT, 2 HOSE NOZZLES, 1 PUMPER NOZZLE, DRAINING HYDRANT "M", BASE
LOCAL\HYD-CEN.SLDDRW
PART NO.: VARIES
DRAWING NO.: HYD-CEN

PROJECT	REV.	INITIAL RELEASE DESCRIPTION	DATE	REVISED	APPROVED
02-05-02	A		05/10/2006	Wade Le Grand	EINAR SKOLSEGG

DRAWING UNITS: INCHES